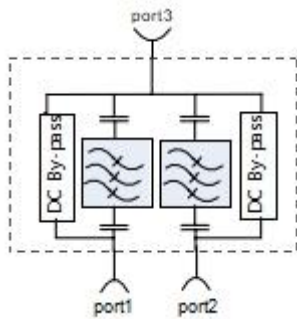


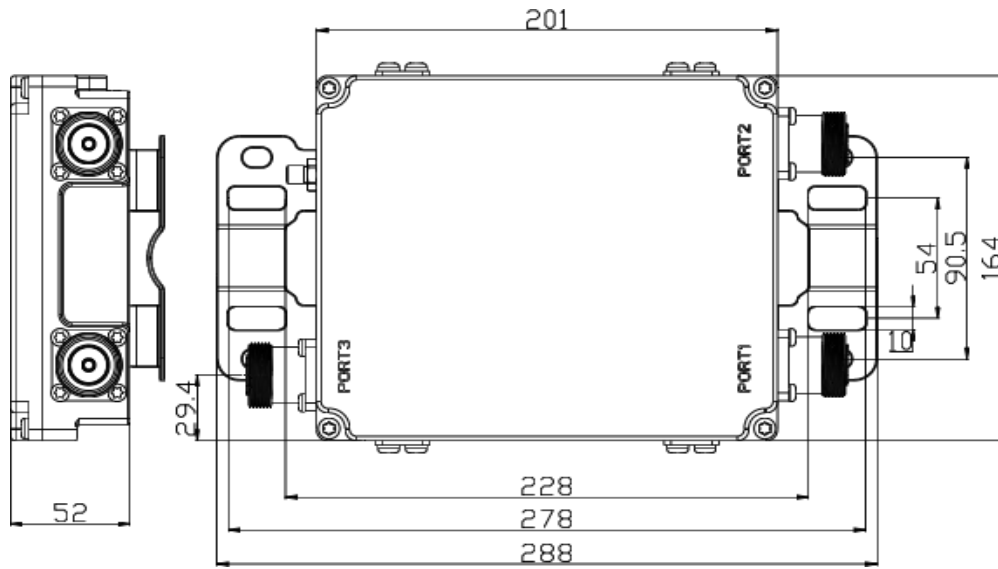
DCS1800MHz & UMTS2100MHz Diplexer

Schematic Diagram & Product Picture:



Part No.	HT-DIP-1721D	
Electrical Specifications		
Frequency range	1710-1880MHz	1920-2170MHz
Insertion loss	≤0.4dB Type(0.25 dB)	
Ripple in Band	≤0.3dB	
Isolation	≥60dB	
VSWR	≤1.25	
Intermodulation	≤-155dBc @ +43dBm x 2	
Impedance	50Ω	
Input power	250W	300W
DC Pass Current	Max2500mA(Between All Ports)	
Lightning Protection	8/20S 10KA Pulse(IEC 801-5)	
MTBF Hours	≥500,000	
Environment Specification		
Operating temperature range	-20°C to +55°C	
Storage temperature range	-35°C to +75°C	
Relative humidity	0°C to +95°C	
Applications	IP66	
Mechanical Specifications		
Connectors	3-DIN-F	
Weight	<4 KG	
DIM(L*W*H)	201*164*52mm(without connectors)	
Packaging	1 pc in box	

Outline Drawing(Single Unit):



Outline Drawing(Double Unit):

