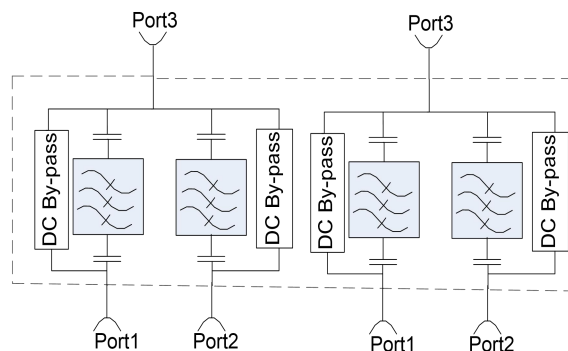
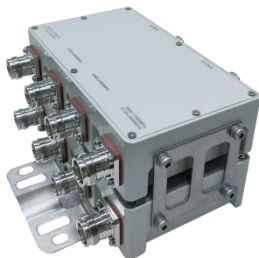


1695-1780&2110-2360/1850-2000 Combiner

Specifications :

Part No.	HT-DUPLEX-1620-4310F	
Port	Port 1	Port 2
Frequency range	1695-1780&2110-2360MHz	1850-2000MHz
Insertion loss	≤0.7dB	
Rejection	≥40dB	
Return Loss/VSWR	≤-20dB/1.22	
Impedance	50Ω	
Input power	50W(avg.)	
Intermodulation	< -155dBc(with 2×20W) in Rx Band	
DC/AISG	By-pass(Max.2.5A)	
Lightning Protection	10KA,10/350μs pulse	
Operation temperature	-20°C to +65°C	
Storage temperature	-40°C to +85°C	
Humidity	15% -100%	
Application	Indoor or outdoor (IP67)	
Weight	1.5kg	
Dimensions	181*103*101mm (without connector)	
RF Connectors	4.3/10-Female	
HT Part Code	9508060951	

Schematic Diagram :



Outline Drawing :

