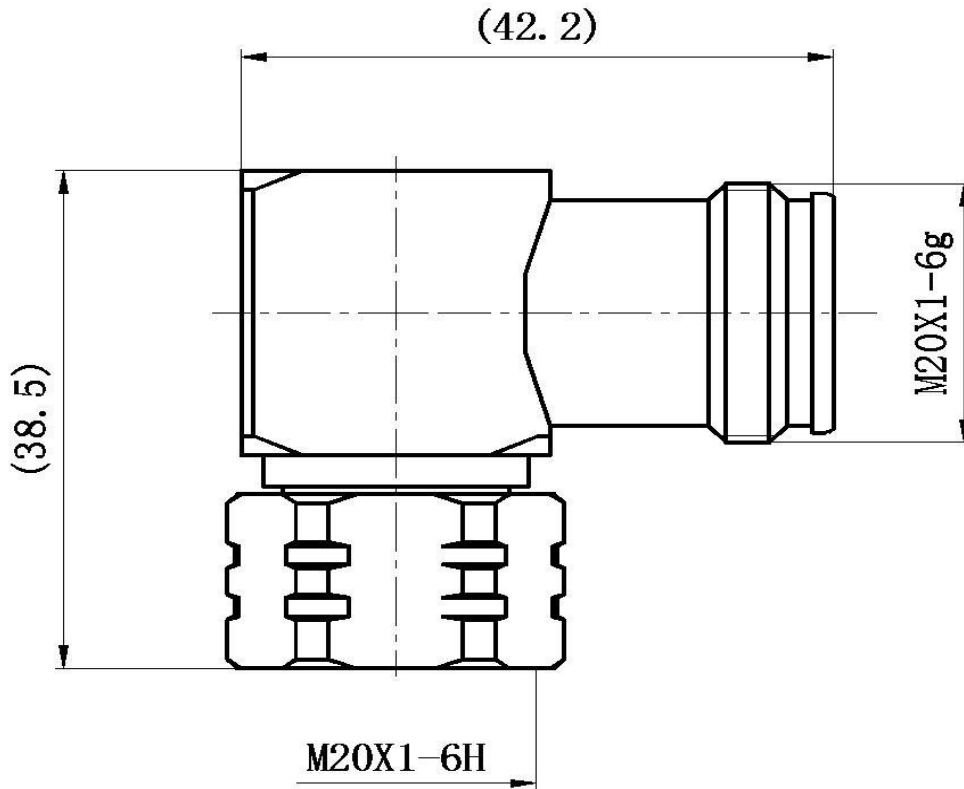


Adaptor 4.3/10 male to 4.3/10 female right angle

Specifications :

Part No.	4.3/10-JKW
Electrical Performance	
Characteristic Impedance	50 ohm
Frequency Range	DC-6GHz
VSWR	$\leq 1.10(0-3\text{GHz}) \leq 1.25(4-6\text{GHz})$
PIM3	$\leq -163\text{dBc}$
Dielectric Withstanding Voltage	$\geq 2500\text{V RMS}, 50\text{Hz}, \text{at sea level}$
Dielectric Resistance	$\geq 4000\text{M}\Omega$
Contact Resistance	Center Contact $\leq 1.0\text{m}\Omega$ Outer Contact $\leq 1.0\text{m}\Omega$
Durability	Mating cycles ≥ 500
Material and plating	
Body	Brass, Tri-Alloy plating
Insulator	PTFE, NATURAL
Contact PIN	Brass, Ag plating
Environmental	
Temperature Range	$-40^{\circ}\text{C} \sim +85^{\circ}\text{C}$
Waterproof(1m water depth, 24hours)	IP68
RoHS	Full RoHS-Compliance

Outline drawing :



Product picture :

