

4.3/10 Male R/A Connector for 1/2” Superflex Cable

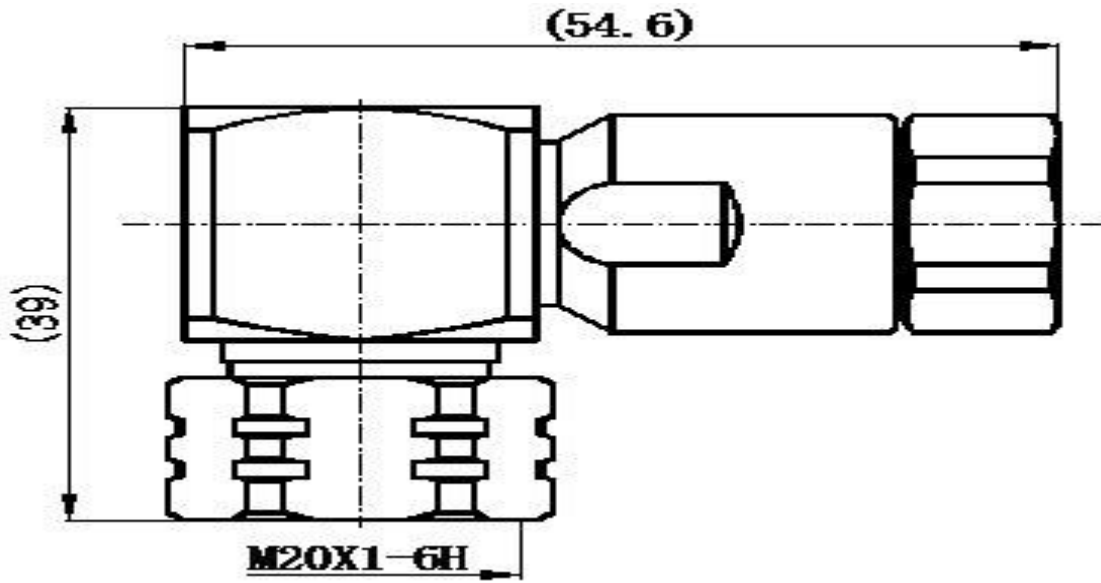
4.3-10 connector system is designed to meet the rising performance needs of mobile network equipment e.g. to connect the RRU to the antenna. The small size and low weight of these connectors do justice to the miniaturization of mobile radio network components. Despite their size, the connectors guarantee excellent return loss and passive inter-modulation performance (PIM) levels.

Three different coupling mechanisms of the plug connectors screw, quick-lock/push-pull and hand-screw types are mateable with all jack connectors. All of the 4.3-10 connectors meet the requirements of IP68 and, because of the excellent properties of materials used, are suitable for temperatures ranging from -40°C up to +85°C. Customized connector designs for use at higher temperatures are also possible on demand .

Specifications :

Part No.	4.3/10-JW1/2S
Electrical Performance	
Characteristic Impedance	50 ohm
Frequency Range	DC-6GHz
VSWR	≤1.12@(0-3GHz) , ≤1.25@(0-6GHz)
PIM3	≤-165dBc
Dielectric Withstanding Voltage	≥2500V RMS,50Hz,at sea level
Dielectric Resistance	≥5000MΩ
Contact Resistance	Center Contact ≤1.0mΩ Outer Contact ≤1.0mΩ
Durability	Mating cycles ≥500
Material and plating	
Body	Brass, Tri-Alloy plating
Insulator	PTFE, NATURAL
Contact PIN	Phosphor bronze,Ag plating
Environmental	
Temperature Range	-40°C~+85°C
Waterproof(1m water depth, 24hours)	IP68
RoHS	Full RoHS-Compliance

Outline drawing :



Product picture :

